

4

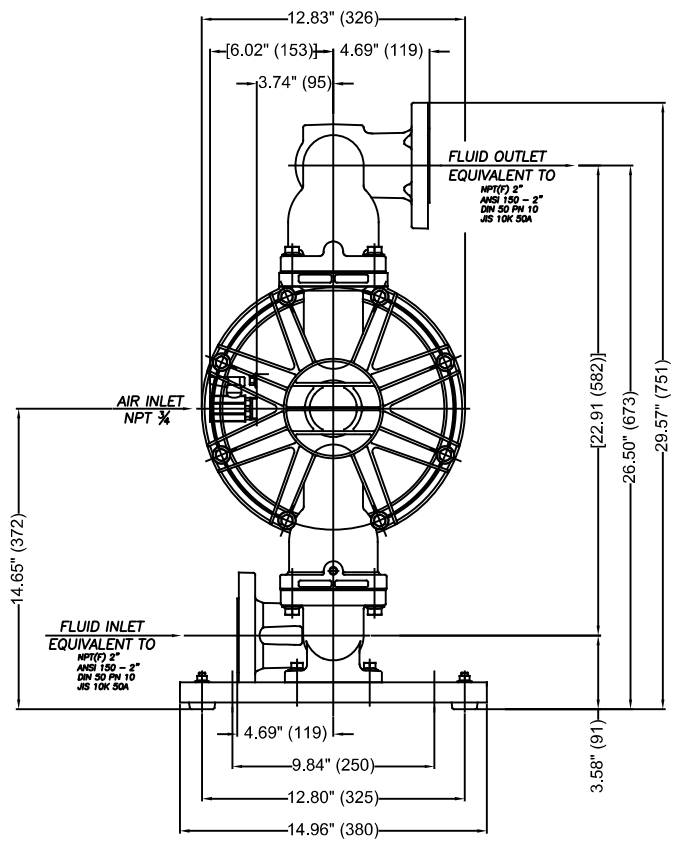
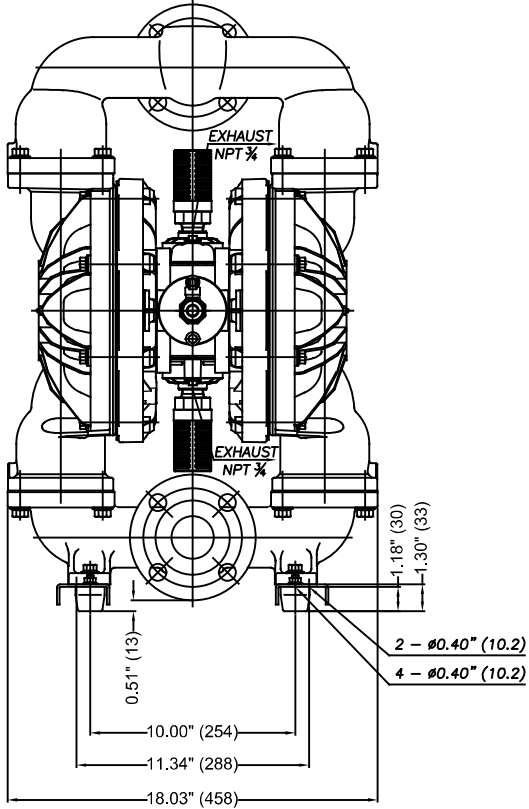
3

2


1

Materials of Construction	
PUMP BODY MATERIAL	AL
DIAPHRAGM MATERIAL	C=CR
	N=NBR
	T=PTFE
	H=TPEE
	S=TPD
	V=FKM
	E=EPDM

REVISIONS			
REV	DESCRIPTION	DATE	APPROVED
A	RELEASED	9/30/2015	CJC



NOTES:
1. SOME FEATURES MAY VARY SLIGHTLY.

PROPRIETARY THIS DRAWING CONTAINS CONFIDENTIAL INFORMATION PROPRIETARY TO IWAKI AMERICA. IT MUST NOT BE REPRODUCED OR FORWARDED TO OTHERS OR USED IN ANY OTHER WAY, IN WHOLE OR IN PART, UNLESS AUTHORIZED IN WRITING BY IWAKI AMERICA.		TOLERANCES DIMENSIONS IN INCHES UNLESS OTHERWISE NOTED X = .050 XX = .010 .XXX = .00		 <p>5 Boynton Rd. Hopping Brook Park Holliston, MA 01746 (508) 429-1440</p> <p>www.IwakiAir.com</p>	
MATERIAL SEE CHART		REBURR AND BREAK ALL SHARP EDGES			
BY TK	DATE 9/4/2015	SIZE B	DWG NO. TC-X00205	DESCRIPTION TC-X500A/F/S_A-M	REV A
APPROVED CJC	DATE 9/25/2015	SCALE: FULL	THIRD ANGLE PROJECTION	SHEET: 1 OF 1	

4

3

2

1

4

3

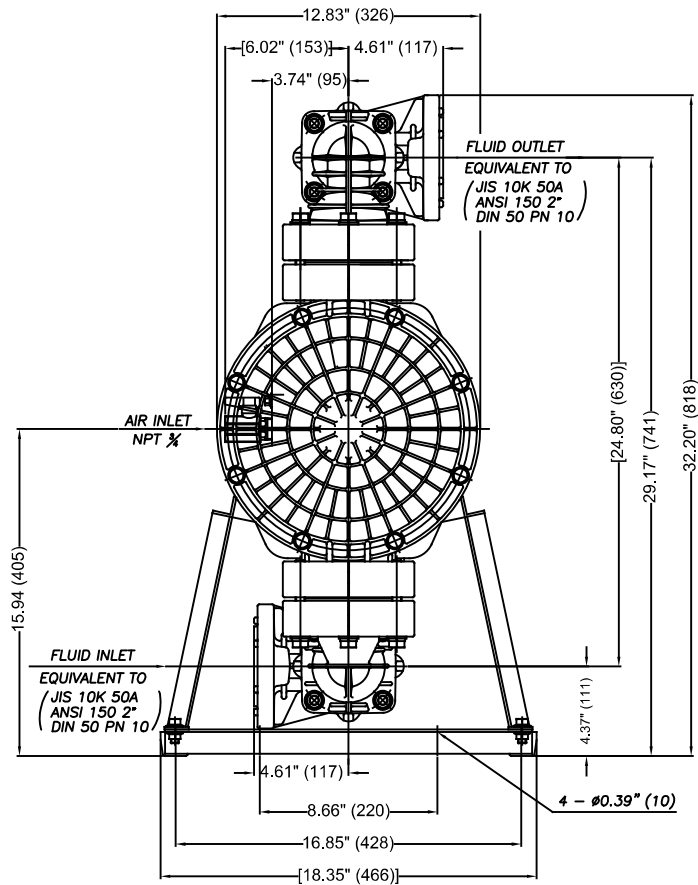
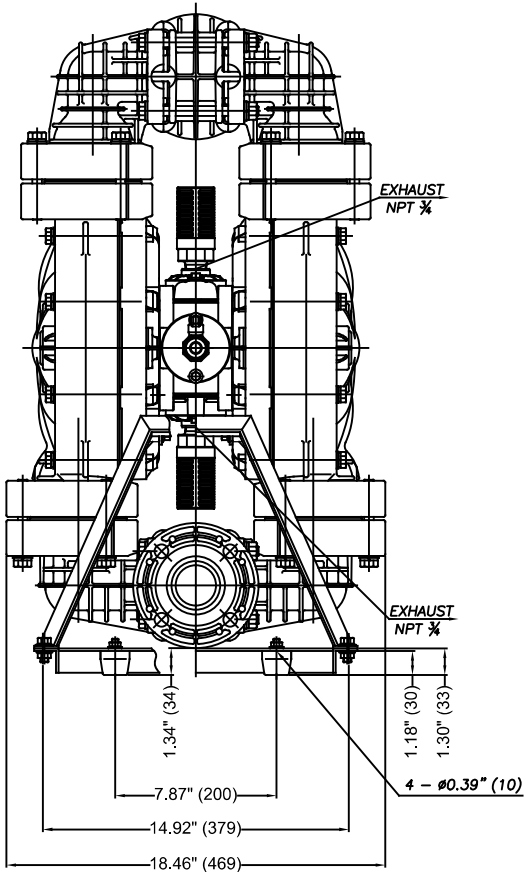
2

1


Materials of Construction

PUMP BODY MATERIAL	PPG
DIAPHRAGM MATERIAL	C=CR
	N=NBR
	T=PTFE
	H=TPEE
	S=TPD
	V=FKM
	E=EPDM

REVISIONS			
REV	DESCRIPTION	DATE	APPROVED
A	RELEASED	01/15/2026	JP



NOTES:
1. SOME FEATURES MAY VARY SLIGHTLY.

PROPRIETARY THIS DRAWING CONTAINS CONFIDENTIAL INFORMATION PROPRIETARY TO IWAKI AMERICA. IT MUST NOT BE REPRODUCED OR FORWARDED TO OTHERS OR USED IN ANY OTHER WAY, IN WHOLE OR IN PART, UNLESS AUTHORIZED IN WRITING BY IWAKI AMERICA.		TOLERANCES DIMENSIONS IN INCHES UNLESS OTHERWISE NOTED X = .050 XX = .010 .XXX = .00		 www.IwakiAir.com	5 Boynton Rd. Hopping Brook Park Holliston, MA 01746 (508) 429-1440	
MATERIAL SEE CHART		REBURR AND BREAK ALL SHARP EDGES			DWG NO. TC-X00206	
BY BA	DATE 01/15/2026	SIZE B	DWG NO. TC-X00206	DESCRIPTION TC-X500G_A-M		REV A
APPROVED JP	DATE 01/15/2026	SCALE: FULL		THIRD ANGLE PROJECTION	SHEET: 1 OF 1	

4

3

2

1

4

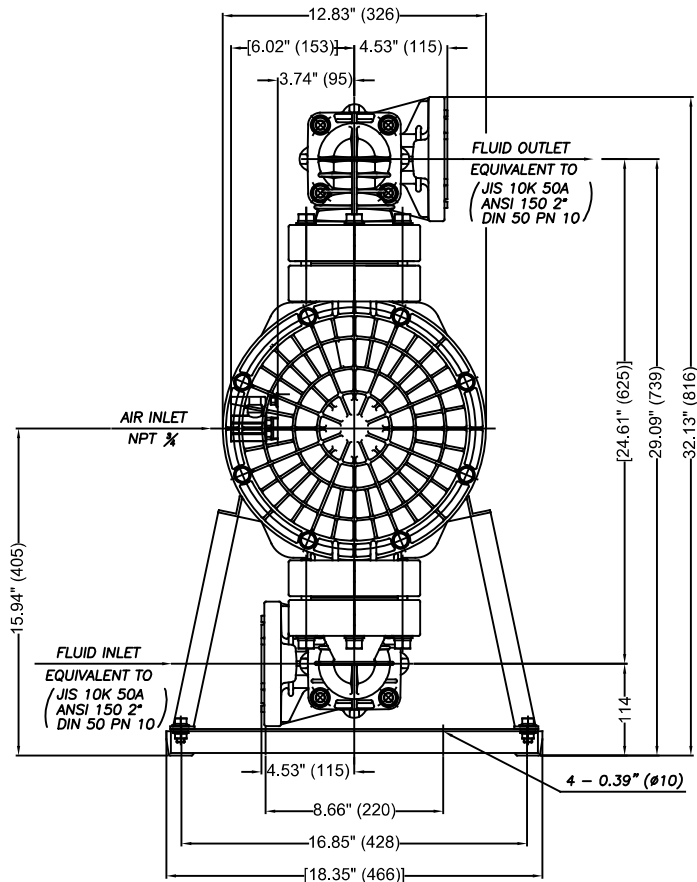
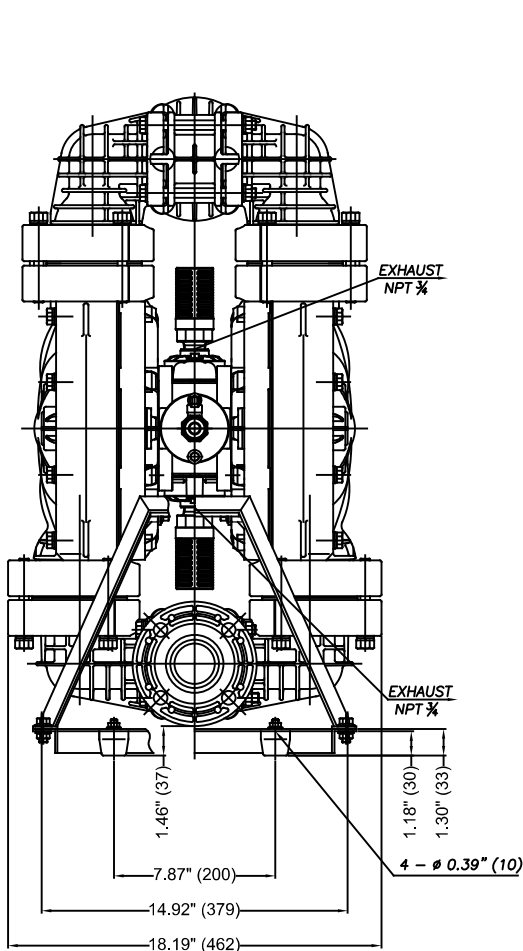
3

2


1

Materials of Construction	
PUMP BODY MATERIAL	PVDF
DIAPHRAGM MATERIAL	T=PTFE
	H=TPEE
	S=TPD
	V=FKM
	E=EPDM

REVISIONS			
REV	DESCRIPTION	DATE	APPROVED
A	RELEASED	01/15/2026	JP



NOTES:
1. SOME FEATURES MAY VARY SLIGHTLY.

PROPRIETARY THIS DRAWING CONTAINS CONFIDENTIAL INFORMATION PROPRIETARY TO IWAKI AMERICA. IT MUST NOT BE REPRODUCED OR FORWARDED TO OTHERS OR USED IN ANY OTHER WAY, IN WHOLE OR IN PART, UNLESS AUTHORIZED IN WRITING BY IWAKI AMERICA.		TOLERANCES DIMENSIONS IN INCHES UNLESS OTHERWISE NOTED X = .050 XX = .010 .XXX = .00		 <p>5 Boynton Rd. Hopping Brook Park Holliston, MA 01746 (508) 429-1440</p> <p>www.IwakiAir.com</p>	
MATERIAL SEE CHART		REBURR AND BREAK ALL SHARP EDGES			
BY BA	DATE 01/15/2026	SIZE B	DWG NO. TC-X00207	DESCRIPTION TC-X500V_A-M	REV A
APPROVED JP	DATE 01/15/2026	SCALE: FULL	THIRD ANGLE PROJECTION	SHEET: 1 OF 1	

4

3

2

1